



AUDIO NETWORK SOLUTIONS



NA2-10-DPRO
NA2-10-DLINE
NPS-30W



NEUTRIK



AUDIO NETWORK SOLUTIONS

CONNECT YOUR LEGACY AUDIO EQUIPMENT TO THE DANTE® WORLD

- Connect analog audio equipment to a Dante® network
- Heavy duty adapters for rugged stage conditions
- Lockable audio and network connections
- Connect analog or digital signals to a Dante® network
- Feed non Dante® ready amplifiers, speakers or mixing desks with signals from the Dante® network
- Different mounting options (rack, floorbox, table mounting, truss)
- Requires a PoE switch or a PoE injector
- AES67 compliant

NA2-IO-DPRO

The NA2-IO-DPRO is a 2IN, 2OUT breakout box for mic, line, AES/EBU signals. It features high-quality microphone preamps and 2 Dante® ports for either redundant setup or daisy chaining. There are several remote control options available.



NA2-IO-DLINE

The NA2-IO-DLINE is an end-of-network device. It is a breakout box which allows 2 Line-IN, 2 Line-OUT signals to be integrated into a Dante® network.



NPS-30W

The NPS-30W is a Gigabit Power over Ethernet Supply with 30 W PoE budget. It is a passive power supply that delivers power at all times with no requirement for power negotiation.

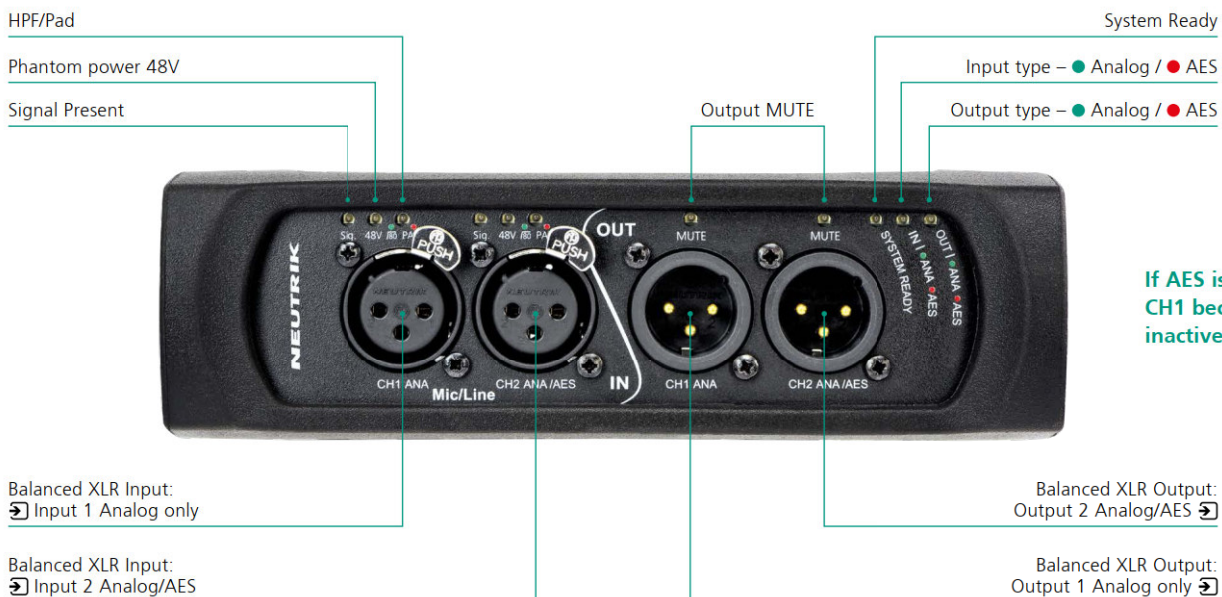


All devices are equipped with lockable connectors and, together with the removable rubber protection, offer a reliable solution for tough stage conditions. With optional mounting brackets or a rack panel, the devices can be mounted below tables, in floor boxes, racks or on a truss.

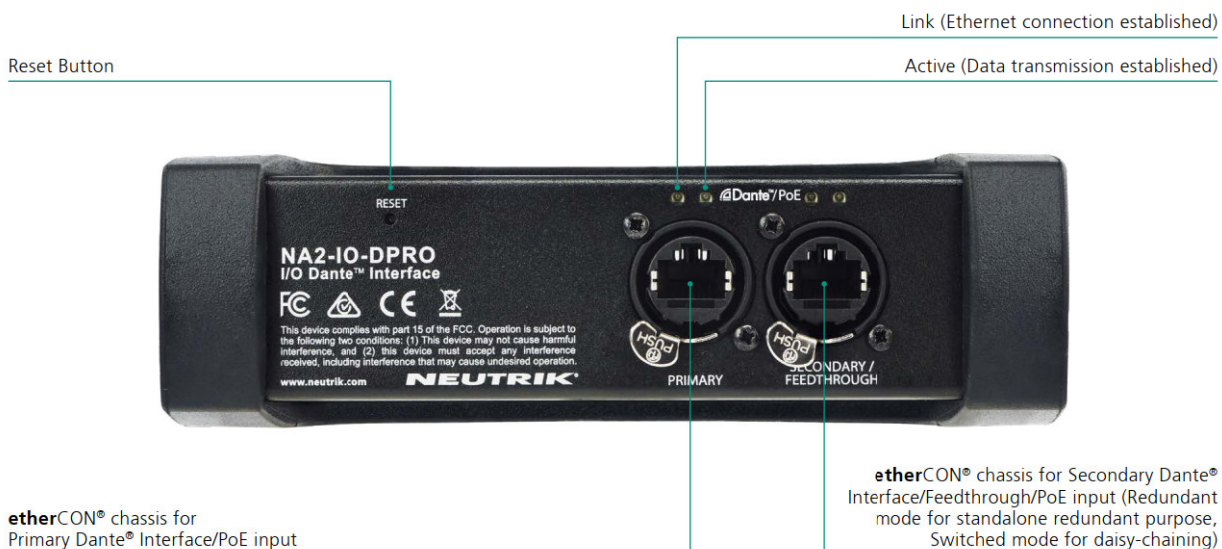
NA2-IO-DPRO

MIC, LINE, AES/EBU TO DANTE® INTERFACE

OVERVIEW FRONT



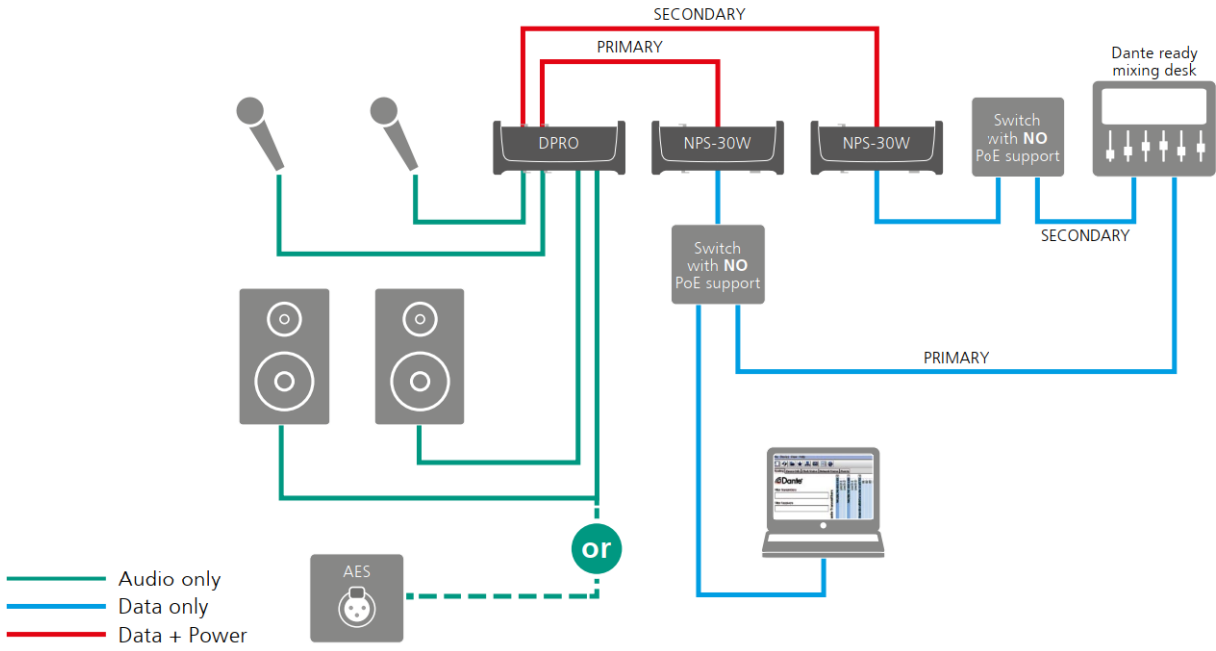
OVERVIEW REAR



IMPORTANT

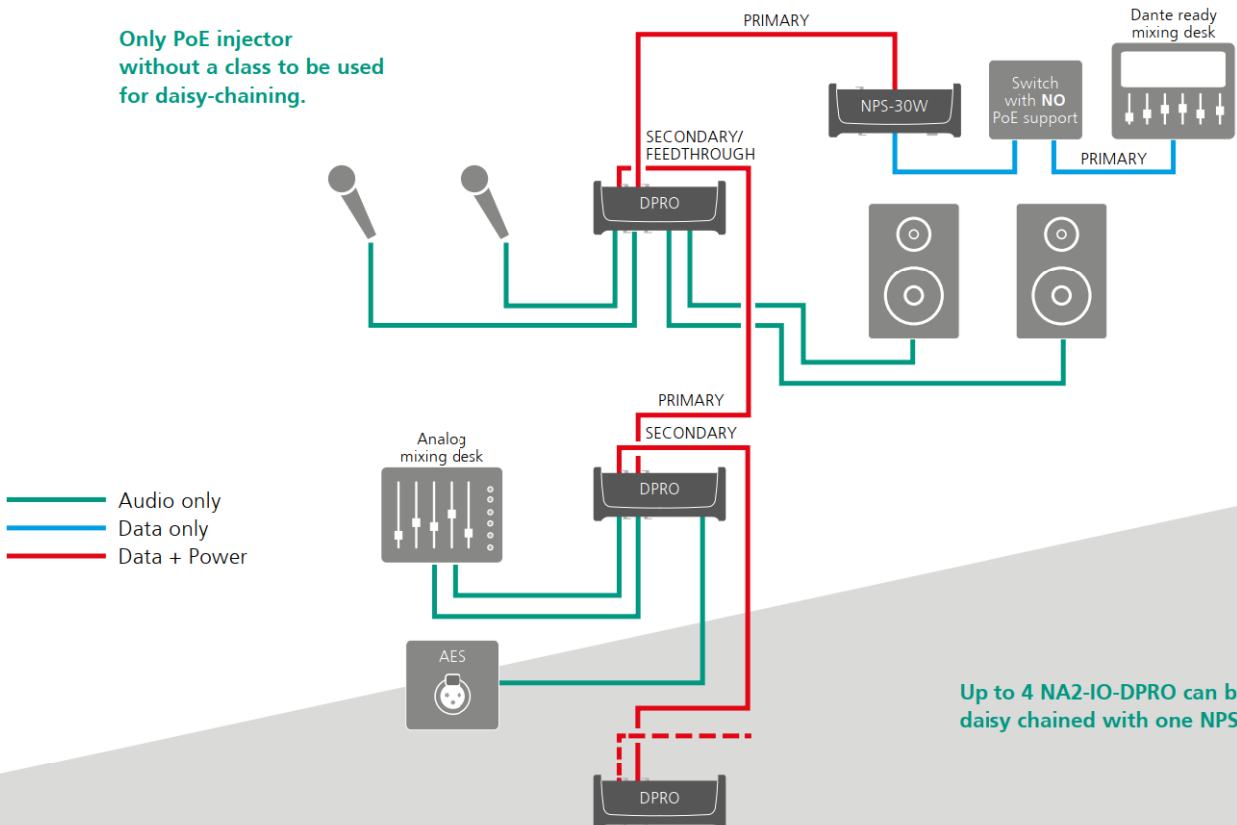
- Requires a Power over Ethernet switch or a PoE injector (802.3 af/at/bt)
- Please refer to the manual for redundant power setups

REDUNDANT MODE



SWITCHED MODE

Only PoE injector without a class to be used for daisy-chaining.



NA2-IO-DLINE

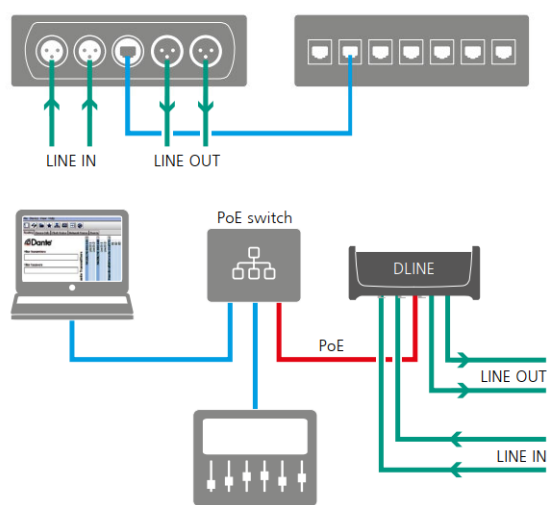
LINE I/O TO DANTE® INTERFACE



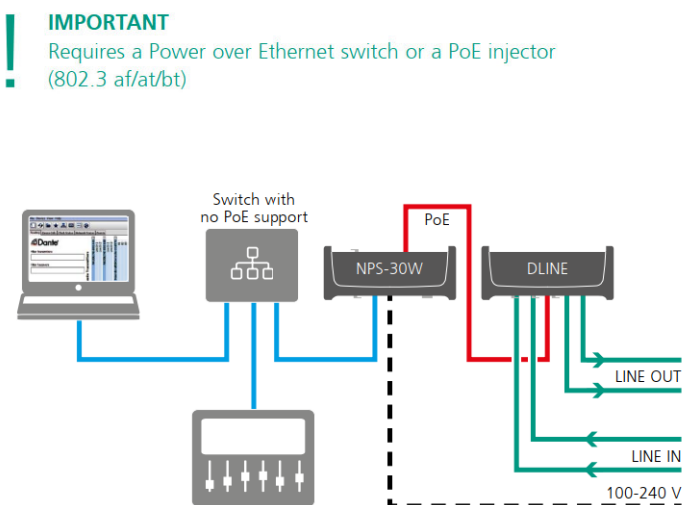
OVERVIEW FRONT



POWER SETUP



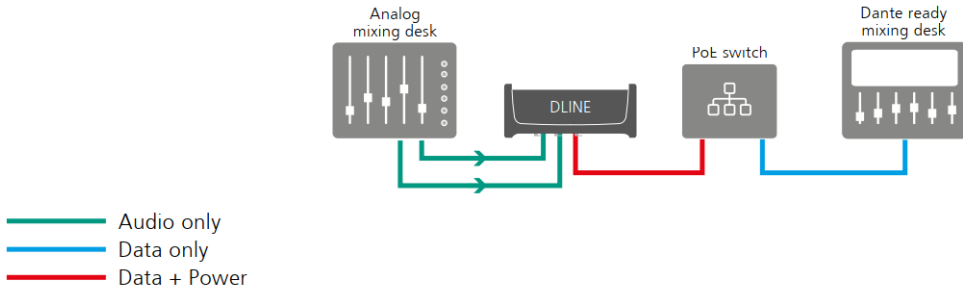
or



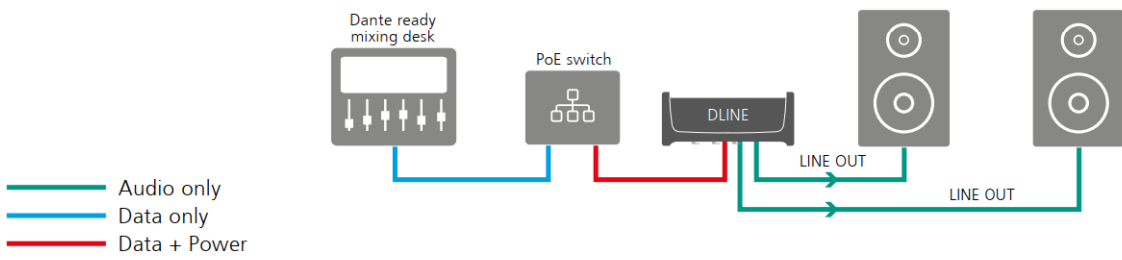
- Audio only
- Data only
- Data + Power
- - - Power only



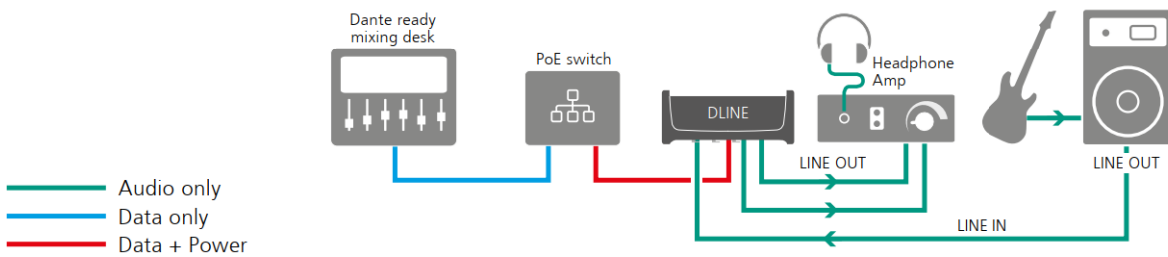
INPUT APPLICATION



OUTPUT APPLICATION



INPUT & OUTPUT APPLICATION (MIXED MODE)



NPS-30W POWER OVER ETHERNET SUPPLY

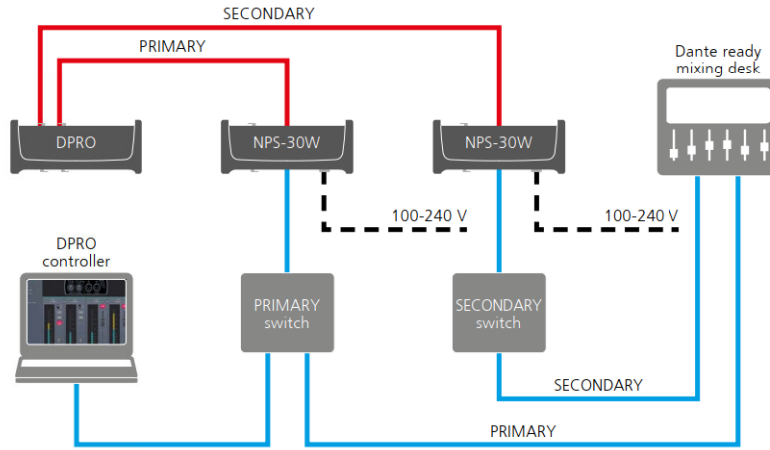
OVERVIEW FRONT



OVERVIEW REAR



POWER AND DATA REDUNDANCY (WITH NEUTRIK NETWORK DEVICES)

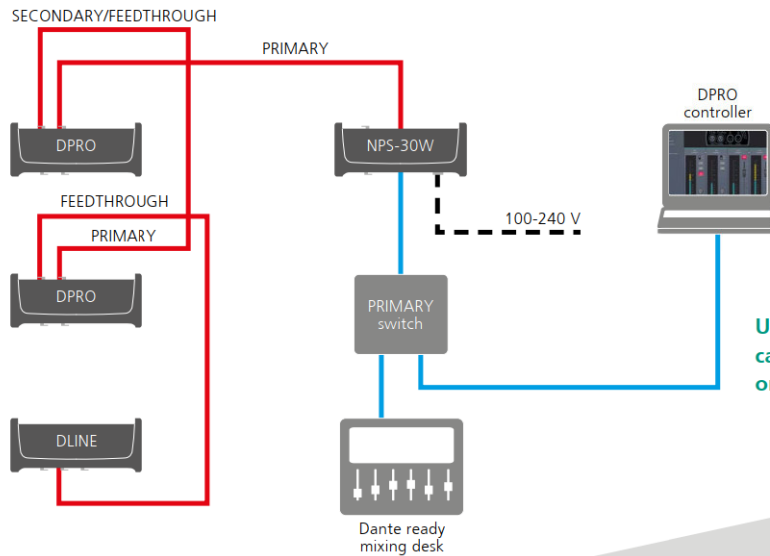


- Data only
- Data + Power
- - - Power only

IMPORTANT

- For Power + Data redundancy, 2 x NPS-30W are required.
- Do not combine NPS-30W with other PoE injectors, as this can lead to damage to the powered device, due to different pin assignment.

DAISY CHAINING (WITH NEUTRIK NETWORK DEVICES)



- Data only
- Data + Power
- - - Power only

Up to 4 NA2-IO-DPRO can be daisy chained with one NPS-30W PoE supply

APPLICATIONS





NPS-30W

NPS-30W
Gigabit PoE Supply

NEUTRIK

OUT 1 Line OUT 2
SYS SYNC

PWR PoE

REMOTE CONTROL

There are several ways to remotely control the NA2-IO-DPRO. Depending on the application, users can choose from Neutrik's DPRO Controller software, Yamaha CL/QL digital mixing console, a control plugin for the Q-SYS platform or a module from Crestron's application market. For further applications, a complete AES70 API is available on request.

DPRO CONTROLLER SOFTWARE

The DPRO controller gives the user not only remote control options such as level, mute, gain, phantom power, input signal and lo-cut, but also the possibility to change the device's network settings and to update the firmware.



DPRO Controller App is available for Windows and macOS, free of charge.



APP REQUIREMENTS

- RAM min 2 GB
- Display resolution > 1280 x 1024 pixel
- Windows 7 or later
- macOS 10.12 or higher

Remote functions for fixed installations

Neutrik's NA2-IO-DPRO features full integration within a QSC or Crestron environment.

A QSC approved control plugin as well as a Crestron module are available in the correspondent application market for free.

With this, designers can fully integrate the DPRO into the Q-SYS designer software or Crestron control products to perform various controls such as gain, phantom power, lo-cut, mute and mic/line switch.

This is a convenient solution to system designers for the widely adopted QSC and Crestron environment!



MIC PREAMP CONTROL VIA YAMAHA CL/QL SERIES CONSOLES

With the firmware version 5.6 for Yamaha CL & QL consoles, the NA2-IO-DPRO can be controlled from the console directly.

The remote option includes phantom power, gain, and lo-cut filter. For example, using the DPRO on a truss is a convenient way to establish ambient miking with short cable runs. Remote control via Yamaha CL/QL consoles provides a real advantage within a Pro AV work environment.



NA2-IO-DPRO

TECHNICAL DATA



GENERAL SPECIFICATIONS

Channel	2 INPUT (Line, Mic, AES/EBU)	Bit depth	16, 24 and 32 bit
	2 OUTPUT (Line Level, AES/EBU)	Latency	based on user selection; min. 0,25 ms (Dante®)
Supported sampling rates	44.1 / 48 / 88.2 / 96 kHz	Ethernet connection	1.000 BASE-T (supporting PoE)

ELECTRICAL DATA

Power consumption	< 6 Watt	Power supply	PoE (Power over Ethernet) switch or PoE midspan power injector (according to IEEE 802.3 af/at/bt)
-------------------	----------	--------------	---

Analog Input

Equivalent Input Noise	-128 dBu (67 dB Gain); A-Weighted	THD+N:	< 0.005% (20 Hz to 20 kHz, +4 dBu)
Gain Hub (3dB Steps)	0 - 67 dB	Dynamic Range:	>112 dB, BW 22.4 kHz, A-Weighted (Input Gain = min.)
Max. Input Level	+ 24 dBu (PAD enabled) + 8 dBu (PAD disabled)	SNR:	> 112 dB, BW 22.4 kHz, A-Weighted
Input Impedance	> 7.5 k Ω balanced	Crosstalk:	- 100 dB, adjacent INPUT / OUTPUT channels (Input Gain = min.)
Frequency Response	20 Hz to 20 kHz (\pm 0.5 dB)		

Analog Output

Max. Output Level	+ 24 dBu	THD+N:	< 0.005% (20 Hz to 20 kHz, +4 dBu)
Output Impedance	< 150 Ω balanced	Dynamic Range:	> 112 dB, BW 22.4 kHz, A-Weighted
Residual output noise	- 88 dBu, A-Weighted	SNR:	> 112 dB, BW 22.4 kHz, A-Weighted
Frequency Response	20 Hz to 20 kHz (\pm 0.5 dB)	Crosstalk:	- 100 dB, adjacent INPUT / OUTPUT channels, Input Gain = Min.

MECHANICAL

Weight	0,53 kg / 1.17 lbs		
Dimensions	l: 164 mm / 6.4 inches	Dimensions	l: 151 mm / 5.9 inches
with rubber protection	w: 82 mm / 3.2 inches	without rubber protection	w: 66 mm / 2.6 inches
	h: 51 mm / 2.0 inches		h: 41 mm / 1.6 inches

NA2-IO-DLINE

TECHNICAL DATA



GENERAL SPECIFICATIONS

Channel	2 INPUT (Line Level)	Bit depth	16, 24 and 32 bit
	2 OUTPUT (Line Level)	Latency	based on user selection 1 ms (default)
Supported sampling rates	44.1 / 48 / 88.2 / 96 kHz	Ethernet connection	100 BASE-TX (supporting PoE)

ELECTRICAL DATA

Power consumption	< 2 Watt	Power supply	PoE (Power over Ethernet) switch or PoE midspan power injector (according to IEEE 802.3 af/at/bt)
-------------------	----------	--------------	---

Analog Audio Input

Input impedance	6.6 kOhm	Signal to Noise Ratio	> 100 dB
Input Level (Balanced)	22 dBu max.	THD + Noise	< 0.01% @ + 4 dBu, A-Weighting
Frequency Response	20 Hz to 20 kHz (+/- 0.5 dB)	Crosstalk	< -80 dB @ 20 kHz
Dynamic Range	> 100 dB		

Analog Audio Output

Output impedance	< 800 Ohm	Signal to Noise Ratio	> 100 dB
Output Level (Balanced)	16 dBu max.	THD + Noise	< 0.01% @ + 4 dBu, A-Weighting
Frequency Response	20 Hz to 20 kHz (+/- 0.5 dB)	Crosstalk	< -80 dB @ 20 kHz
Dynamic Range	> 100 dB		

MECHANICAL

Weight	0,44 kg / 1.0 lbs		
Dimensions	l: 164 mm / 6.4 inches	Dimensions	l: 151 mm / 5.9 inches
with rubber protection	w: 82 mm / 3.2 inches	without rubber protection	w: 66 mm / 2.6 inches
	h: 51 mm / 2.0 inches		h: 41 mm / 1.6 inches

NPS-30W

TECHNICAL DATA



ELECTRICAL DATA

Input voltage range	100 – 240 VAC	Output voltage	48 VDC
Input frequency range	50 – 60 Hz	Output max. current	0.63 A
Input max. current	0.75 A	Rated Power	30 W

MECHANICAL

Weight	0,53 kg / 1.17 lbs		
Dimensions	l: 164 mm / 6.4 inches	Dimensions	l: 151 mm / 5.9 inches
with rubber protection	w: 82 mm / 3.2 inches	without rubber protection	w: 66 mm / 2.6 inches
	h: 51 mm / 2.0 inches		h: 41 mm / 1.6 inches

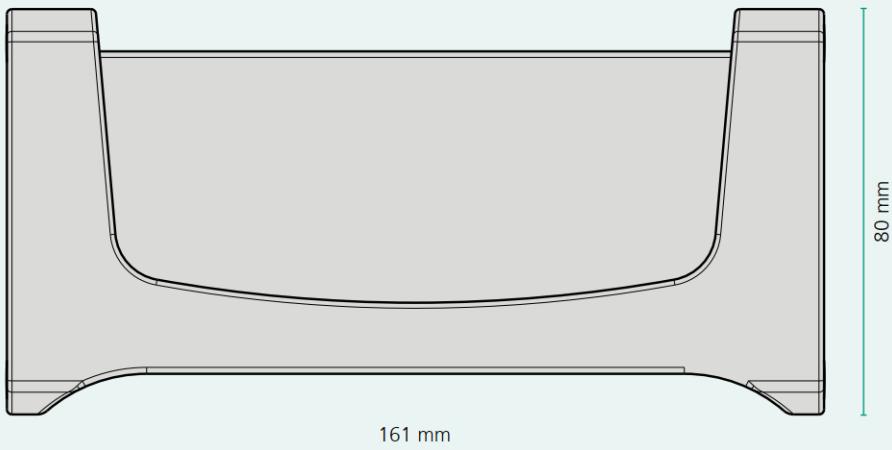
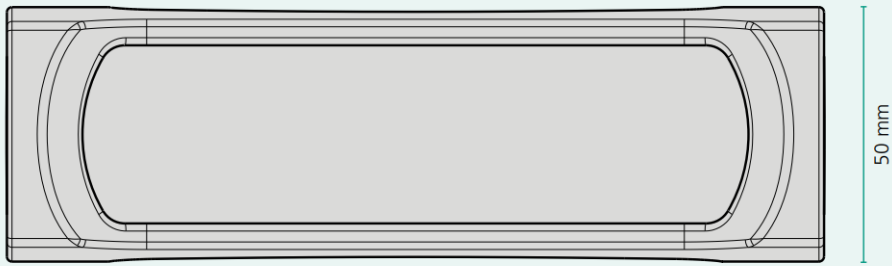
OPERATING ENVIRONMENT INDOOR

Operating temperature	-5°C to +50°C	Storage temperature	-40°C to +100°C
-----------------------	---------------	---------------------	-----------------

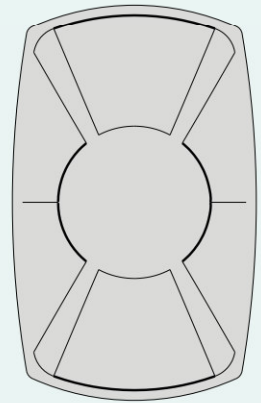
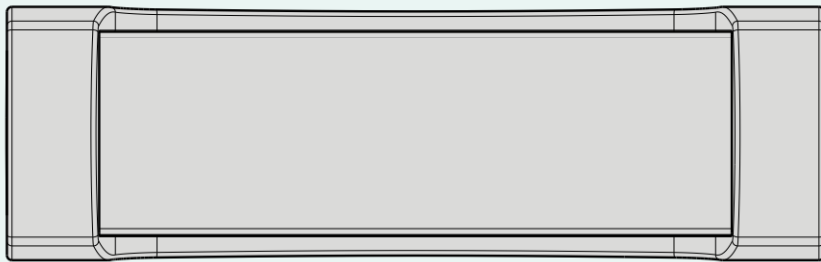
ORDERING INFORMATION

NPS-30W-B	NPS-30W + power cable (3m; NEMA5 / Plug Type B)
NPS-30W-F	NPS-30W + power cable (3m; Schuko / Plug Type F)
NPS-30W-G	NPS-30W + power cable (3m; BS1363 / Plug Type G)
NPS-30W-J	NPS-30W + power cable (3m; SEV1011 / Plug Type J)
NPS-30W-WOC	NPS-30W without power cable

MECHANICAL DIMENSIONS



161 mm



MOUNTING ACCESSORIES

NA-MB-KIT

Mounting bracket kit for NA2-IO-DLINE / NA2-IO-DPRO / NPS-30W



NA-TM-KIT

Truss mount kit for NA2-IO-DLINE / NA2-IO-DPRO / NPS-30W



NRP1RU-2A

1 RU 19" RACK unit for NA2-IO-DLINE / NA2-IO-DPRO / NPS-30W





AUDIO NETWORK SOLUTIONS

NA2-IO-DPRO / NA2-IO-DLINE / NPS-30W

NEUTRIK